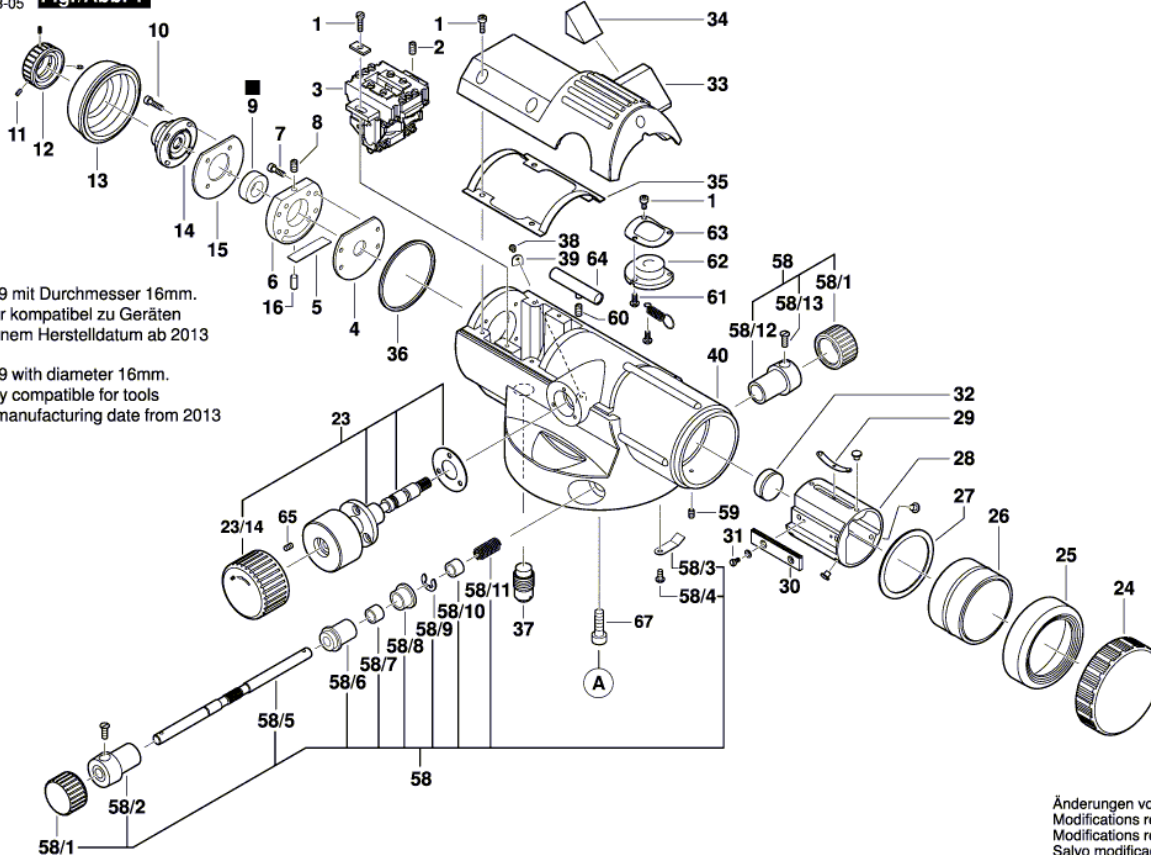




3 601 K68 010

Stand | 20-02-
Issue | 20-03-05

Fig./Abb. 1



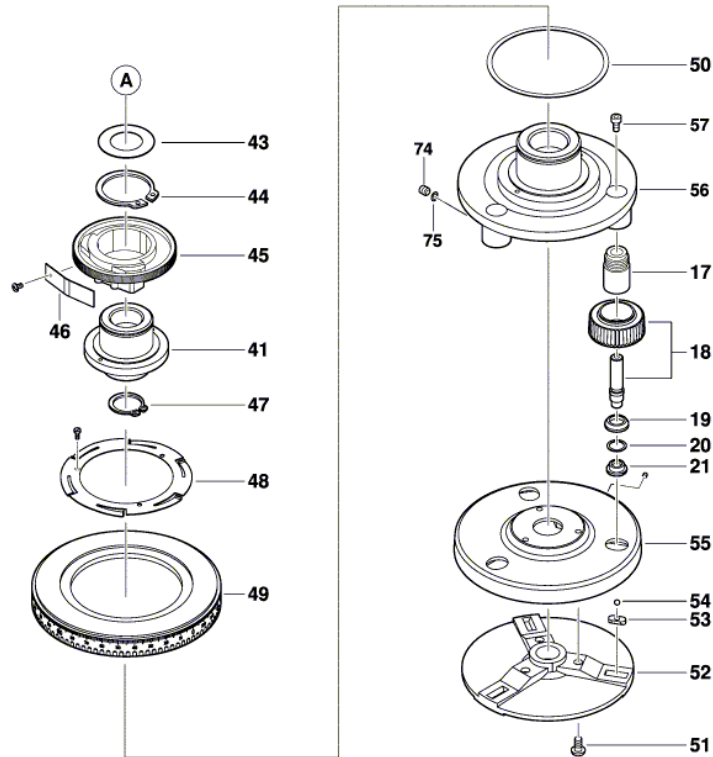
■ Pos. 9 mit Durchmesser 16mm.
ist nur kompatibel zu Geräten
mit einem Herstellungsdatum ab 2013

Pos. 9 with diameter 16mm.
is only compatible for tools
with manufacturing date from 2013

Änderungen vorbehalten
Modifications reserved
Modifications réservées
Salvo modificaciones



3 601 K68 010

Stand
Issue } 15-12-17**Fig./Abb. 2**

Änderungen vorbehalten
 Modifications reserved
 Modifications réservées
 Salvo modificaciones

**BOSCH** PARTS AND
SERVICE ONLINE

1800 W. Central Mount Prospect IL 60056

Tool Number: 3601K68010

Model Number: GOL 26CK

Pos.	Part Number	Description	Pos.	Part Number	Description
1	2 610 A02 324	Screw	58/1	2 610 A05 677	Cap
2	2 610 A05 748	Pivot Pin	58/2	2 610 A05 679	Adjustment Knob
3	2 610 A03 364	Compensator	58/3	2 610 A03 389	Contact strap
4	2 610 A05 661	mat seal	58/4	2 610 A03 369	Screw
5	2 610 A05 662	Contact strap	58/5	2 610 A05 686	Screw
6	2 610 A05 723	Mounting Bracket	58/6	2 610 A05 685	Bushing
7	2 610 A05 712	Screw	58/7	2 610 A05 684	Spacer
8	2 610 A05 614	Screw	58/8	2 610 A05 683	Contact retainer
9	2 610 A03 372	Cross hair insert	58/9	2 610 A05 682	Washer
10	2 610 A05 726	Screw	58/10	2 610 A05 681	Spacer
11	2 610 A05 724	Set screw	58/11	2 610 A05 680	Contact strap
12	2 610 A11 682	Protective Cover	58/12	2 610 A05 689	Adjustment Knob
13	2 610 A11 683	Cover	58/13	2 610 A03 381	Screw
14	2 610 A05 772	eyepiece	59	2 610 A03 382	Screw
15	2 610 A05 731	mat seal	60	2 610 A03 370	Set screw
16	2 610 A05 622	Piston	61	2 610 A05 758	Screw
17	2 610 A05 709	Screw Bushing	62	2 610 A05 718	Bubble Level
18	2 610 A05 628	Control Knob	63	2 610 A05 697	Contact strap
19	2 610 A05 629	Tension Cone	64	2 610 A03 383	viewfinder tube
20	2 610 A05 630	Washer	65	1 619 PA5 043	Hex Socket Head Cap Screw
21	2 610 A05 631	Nut	67	1 619 PA5 044	Hex head tapping screw
23	2 610 A03 385	Focusing device			
23	1 619 PA5 229	Focusing device			
23/14	2 610 A03 404	Cap			
24	2 610 A03 394	Cap			
25	2 610 A11 684	Cover Ring			
26	2 610 A03 366	Lens			
27	2 610 A03 392	Spacer			
28	2 610 A03 377	Pusher			
29	2 610 A05 649	Contact strap			
30	2 610 A05 652	Toothed rack			
31	2 610 A03 380	Screw			
32	2 610 A05 653	Lens			
33	2 610 A11 685	Housing Cover			
34	2 610 A03 379	Reader			
35	2 610 A03 367	O-Ring			
36	2 610 A11 904	mat seal			
37	2 610 A05 751	Transport Lock			
38	2 610 A03 368	Screw			
39	2 610 A03 339	Indicator			
40	2 610 A11 686	Telescope			
41	2 610 A05 664	Spindle			
43	2 610 A05 665	Washer			
44	2 610 A05 666	Retaining ring			
45	2 610 A05 667	Gear			
46	2 610 A05 669	Contact strap			
47	2 610 A05 671	Retaining ring			
48	2 610 A05 744	Retaining ring			
49	2 610 A05 673	Graduated Disc			
50	2 610 A05 675	Washer			
51	2 610 A05 694	Screw			
52	2 610 A05 691	Base Plate			
53	2 610 A05 693	Ball seat			
54	2 610 A05 692	Ball			
55	2 610 A11 687	Cover Plate			
56	2 610 A05 676	Base Plate			
57	2 610 A05 734	Screw			
58	2 610 A05 702	Adjusting Screw			